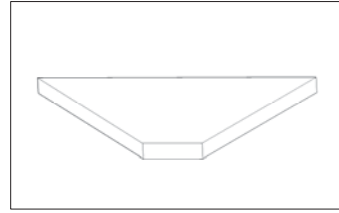


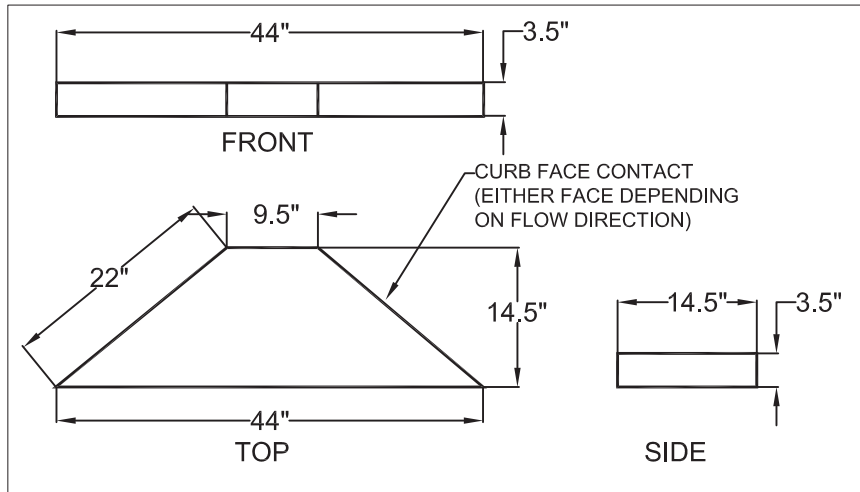
## RUBBEROSION CURB CHECK DAM



### DESCRIPTION AND PURPOSE:

RUBBEROSION CURB CHECK DAMS ARE PLACED IN CURB FLOW LINES OR USED IN CURB INLET PROTECTION APPLICATIONS FOR SEDIMENT CONTROL. THE RUBBEROSION CURB CHECK DAM IS MOLDED TO SPECIFICALLY FIT CURB FLOW LINES AND PROVIDE 22-INCHES OF CURB FACE CONTACT. THE RUBBEROSION CHECK DAM IS DURABLE AND DESIGNED FOR HIGH-TRAFFIC AREAS AND IS A SUPERIOR ALTERNATIVE TO TRADITIONAL ROCK SOCKS. THE RUBBEROSION CHECK DAM IS MADE FROM 100% RECYCLED RUBBER WHICH MAKES IT ENVIRONMENTALLY FRIENDLY, AND DUE TO IT'S DURABILITY, CAN BE RE-USED.

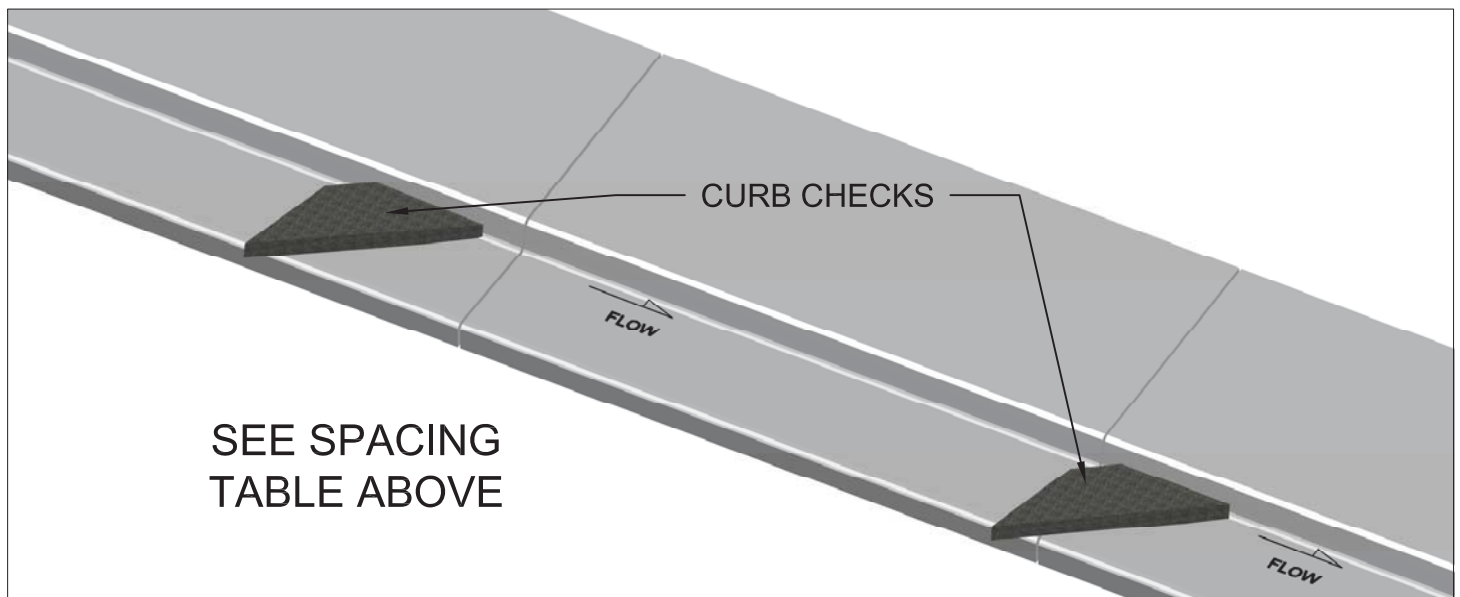
### CURB CHECK DAM:



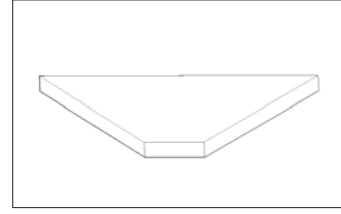
### SPACING TABLE:

MAXIMUM SPACING ALONG STREET GRADE	
STREET SLOPE	CURB SPACING (FT)
0.50%	100
1.00%	100
2.00%	75
3.00%	50
4.00%	50
5.00%	50
6.00%	25
7.00%	25
8.00%	25

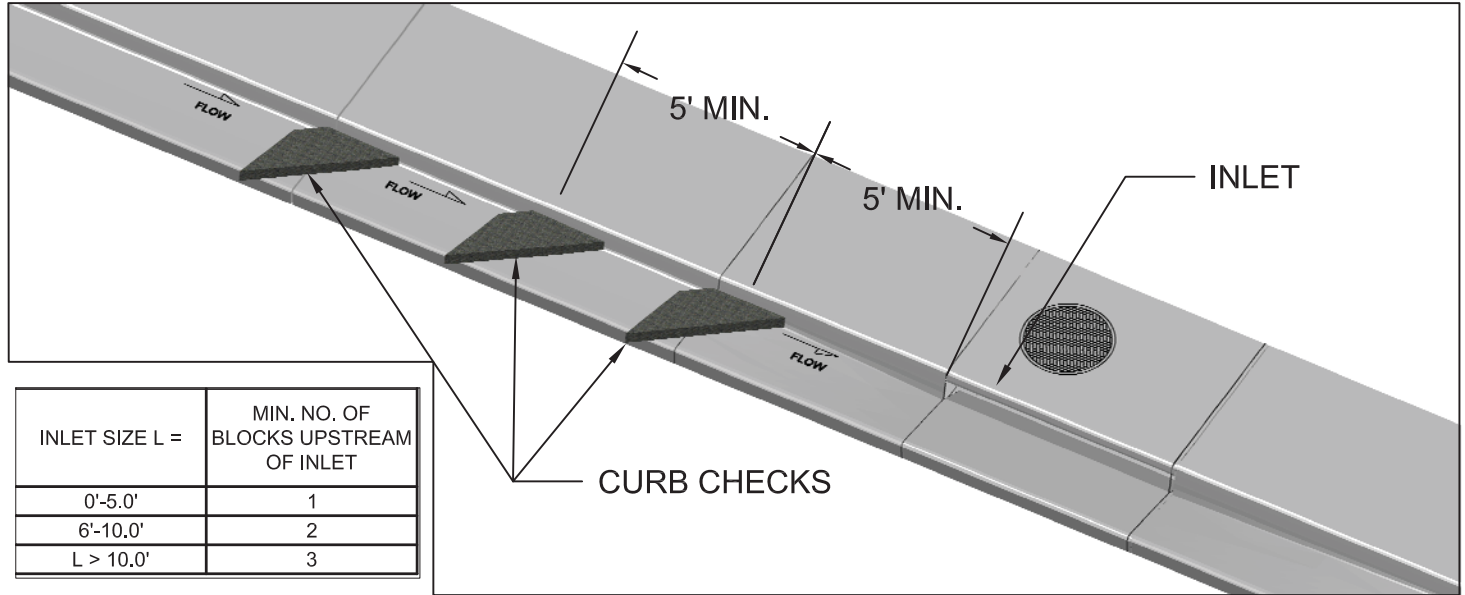
### CURB CHECK DAM INSTALLATION (TYPICAL):



## RUBBEROSION CURB CHECK DAM



### CURB INLET PROTECTION APPLICATION (TYPICAL):



### CURB CHECK & INLET PROTECTION INSPECTION AND MAINTENANCE NOTES:

1. THE EROSION CONTROL SUPERVISOR SHALL REGULARLY INSPECT THE CURB CHECK OR CURB INLET PROTECTION IN ACCORDANCE WITH LOCAL JURISDICTION REQUIREMENTS AND MAINTAIN THEM IN EFFECTIVE OPERATING CONDITION.
2. ACCUMULATED SEDIMENT SHALL BE REMOVED ONCE THE SEDIMENT HAS REACHED A 1" DEPTH ADJACENT TO THE CURB CHECK.
3. CURB CHECK SHALL BE CLEANED IF THEY BECOME HEAVILY SOILED AND REPLACED IF DAMAGED.
4. THE CURB INLET PROTECTION SHALL REMAIN IN PLACE AND PROPERLY MAINTAINED UNTIL EROSION AND SEDIMENTATION IS NO LONGER A POSSIBILITY AS DETERMINED BY THE INSPECTOR.